

Description : CHIRON 2 B RECESSED FRAME

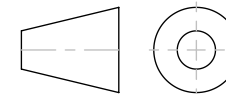
Code : AL8383

Scale : 1:5

SHEET 1 OF 4

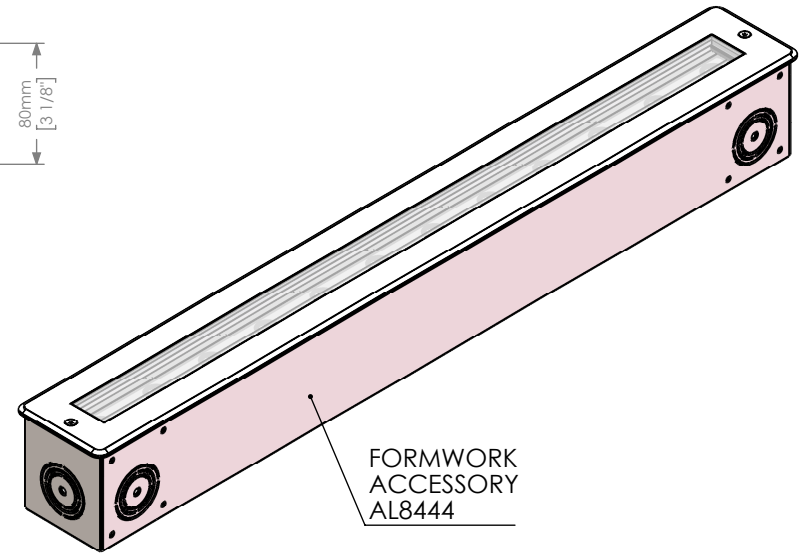
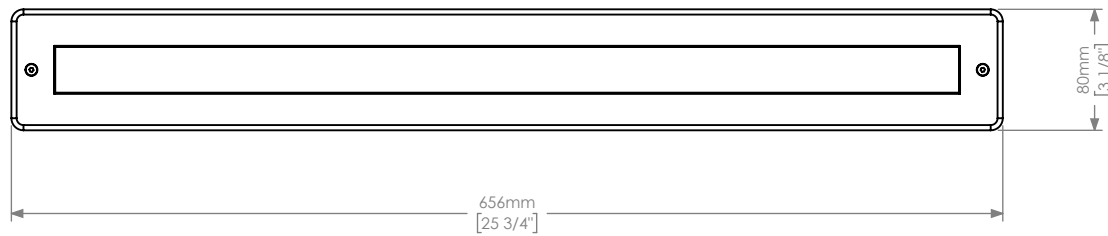
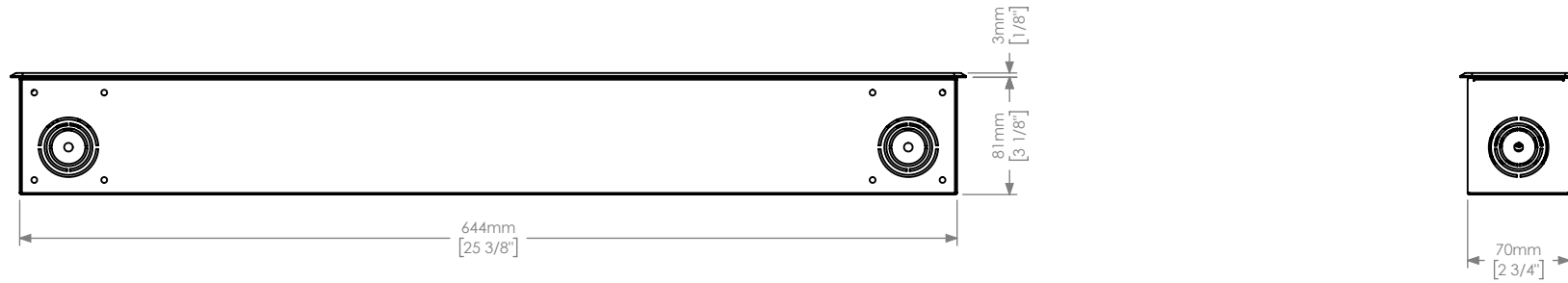
Revision : 01

DIMENSIONS ARE IN MILLIMETERS [BRACKETED DIMENSIONS ARE IN INCHES]



GRIVEN 

<http://www.griven.com>



Description : CHIRON 2 B RECESSED FRAME

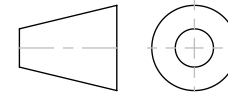
Code : AL8383+AL8444

Scale : 1:5

SHEET 2 OF 4

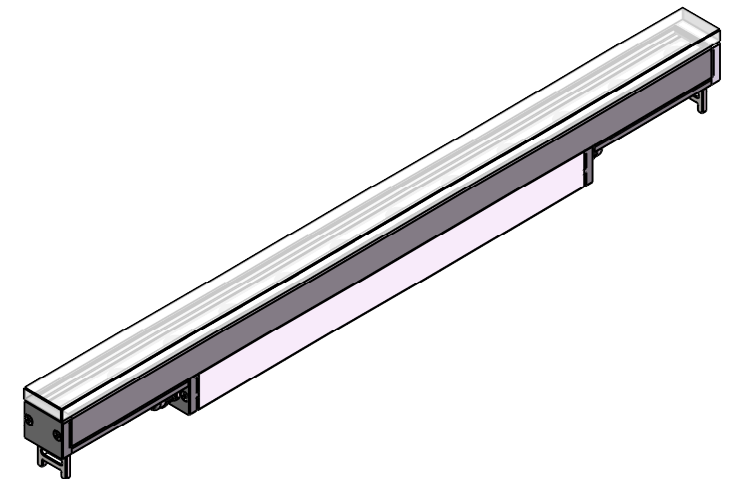
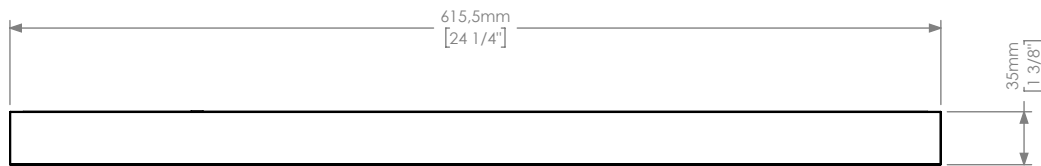
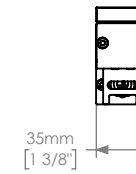
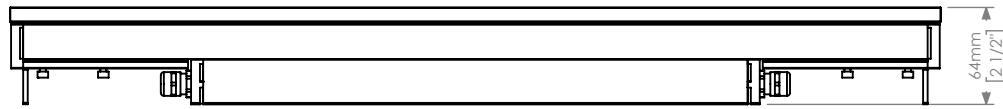
Revision : 01

DIMENSIONS ARE IN MILLIMETERS [BRACKETED DIMENSIONS ARE IN INCHES]



GRIVEN 

<http://www.griven.com>



Description : CHIRON 2 B RECESSED ALL-GLASS

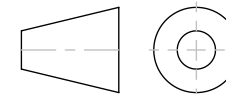
Code : AL8383

Scale : 1:5

SHEET 3 OF 4

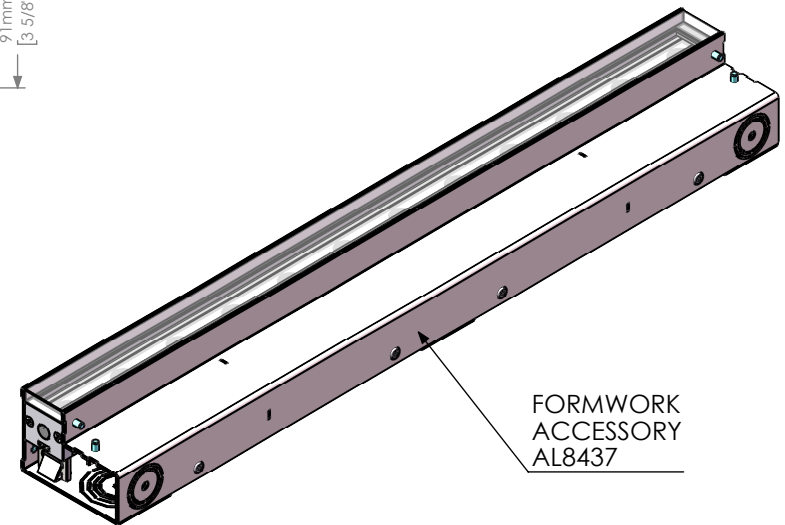
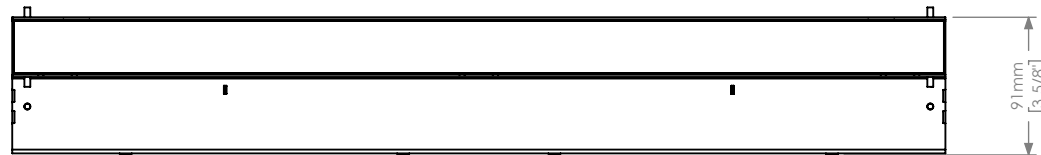
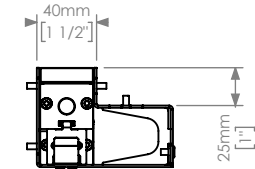
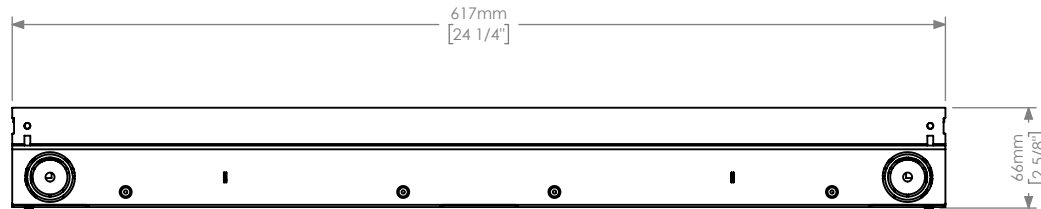
Revision : 01

DIMENSIONS ARE IN MILLIMETERS [BRACKETED DIMENSIONS ARE IN INCHES]



GRIVEN 

<http://www.griven.com>



Description : CHIRON 2 B RECESSED ALL-GLASS

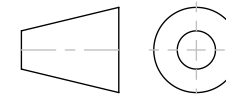
Code : AL8383+AL8437

Scale : 1:5

SHEET 4 OF 4

Revision : 01

DIMENSIONS ARE IN MILLIMETERS [BRACKETED DIMENSIONS ARE IN INCHES]



GRIVEN 

<http://www.griven.com>